

IDK-LOK

Fittings & Valves

K Series JIC Tube Fittings

SAE J514 37° Flared

Features

- Standard Materials: Stainless Steel, Carbon Steel and Brass.
- Universal Fittings for Inch and Metric tube.
- Fitting without sleeve and nut for connection to a female swivel on a hose assembly.

No.00-0
July 2016





Quality System Certifications

ISO 9001:2000	AP1149
ISO 14001:2004	CL-K-E-1149
OHSMS 18001	HSBSK-S006
API Spec Q1	6D-0593
KEPIC-MN	MN-466
PED 97/23/EC Module D	HSBI-10-11-046
PED 97/23/EC Module H	HSBI-11-03-010
PED 97/23/EC Annex I	07-202-1326WZ-0941/10

Nuclear System and Product Certifications

ASME N	N-3185
ASME NPT	N-3186
ASME NS	N-3342
ASME NB	N-3185

Pressure Equipment Directive 97/23/EC

Module B&D	HSBI-10-11-045
------------	----------------

DK-Lok Flange Adapter Leakproof Test per TA Luft requirements

TUV Rheinland	973-10014584
---------------	--------------

CNG Certifications

TUV Rheinland : AF-2009-0903-01	TUV SUD : 07-000026-PA-GMB-01
ECE R110 67-01	ECE Regulation NO. 110
ISO 15500-19 15500-15916	ECE Regulation NO. 67-02
ANSI AGA NGV 3.1-1995,CGA NGV 12.3-M95	Compressed Gaseous Hydrogen (CGH2)
ANSI AGA NGV 4.1-1999,CSA 125.M99	Liquid Hydrogen(LH2)
Draft ECE Compressed Gaseous Hydrogen Regulation, Revision 12b, 10/12/03.	
State of the art	

CRN

CRN	0A4788.2
CRN	0C07988.2
CRN	0C09275.2
CRN	0E07988.2
CRN	0C5191.2
CRN	0C07988.2

GOST

GOST	POCC KR.AB28.B02325
GOST	POCC KR.AB28.B02327

Type Approval Certifications

ABS	01-BK218882/3-PDA 09-BK522012-PDA BK720958-X
BV	14034/A1 BV
DNV	P-13044 P-13052
GL	47 924-03HH 47 925-03HH 40 504-01HH 40 505-01HH
KR	CWN80397-PE001
LR	01/10047 01/10048
NK	06FV101B

The information shown in this catalog are not for design purpose, but for reference only.
The accuracy of information is not the liability of our company.




































Safe Component Selection

The Selection of component for any applications or system design must be considered to ensure safe performance. Component function, material compatibility, component ratings, proper installation, operation and maintenance remain the sole responsibility of the system designer and the user. DK Tech accepts no liability for any improper selection, installation, operation or maintenance.



Head Quarters and Factory
7, Golden root-ro 129beon-gil, Juchon-myeon,
Gimhae-si, Gyeongsangnam-do, South Korea 621-842
Tel. +82-55-338-0114 Fax. +82-55-901-0141

IDK-LOK Corporation

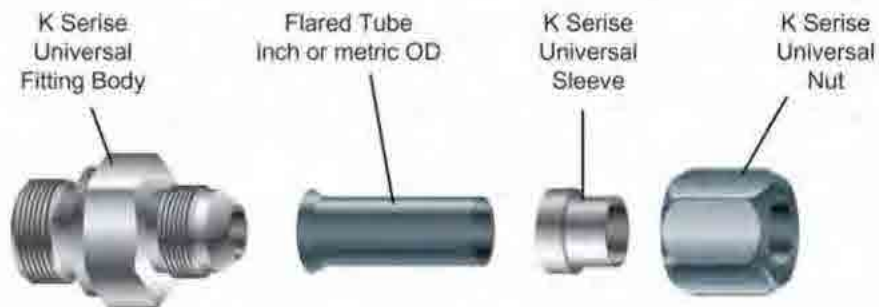
Tube to Tube Union			45° Male Elbow			Swivel Fittings		
Union		06	KLBM		18	Swivel Male Connector		30
KU			Tube to Female Pipe			Swivel UNF Male Connector		31
Union Elbow		07	Female Connector		19	Swivel Female Connector		32
KL			KCF			Swivel Elbow		33
Union Tee		08	Bulkhead Female Connector		20	Swivel Run Tee		34
KT			KCBF			Swivel Branch Tee		35
Union Cross		09	Female Elbow		21			
KX			KLF					
Bulkhead Union		10	Female Run Tee		22			
KUB			KTRF					
Weld Bulkhead Union		11	Female Branch Tee		23			
KBUW			KTBF					
Bulkhead Union Elbow		12	Tube to Straight Thread			Cap and Plug		
KBL			O-Seal G Male Connector		24	Cap for Tube End		36
Tube Port to Tube Port			KMC-GO			Plug for Fitting Port		36
Fitting Port Reducer		13	O-Seal UNF Male Connector		25			
KPR			KMCS-U					
Tube to Male Pipe			O-Seal UNF Male Elbow		26	Spare Parts		
Male Connector		14	KLS-UP			Nut		37
KMC			O-Seal 45° UNF Male Elbow		27	Sleeve		37
Male Elbow		15	KLBS-UP			Bulkhead Lok Nut		38
KLM			O-Seal UNF Branch Tee		28			
Male Run Tee		16	KTBS-UP					
KTRM			O-Seal UNF Run Tee		29			
Male Branch Tee		17	KTRS-UP					
KTBM								

Design

DK-Lok K Series JIC Tube Fitting consists of body, sleeve and nut and meets the requirements of SAE J514 and ISO 8434-2 standards.

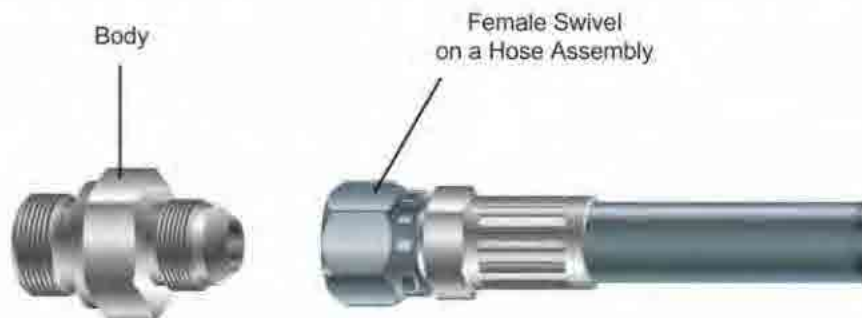


DK-Lok K Series JIC Tube Fitting are capable of connecting to inch and metric tube with no changing the Sleeve and Nut.



Example : KU-4T-SA fitting capable of connecting to 1/4" OD Stainless steel tubing.

The fitting body without sleeve and nut is widely used as a hose adapter for connection to a female swivel on a hose assembly.



Technical Information

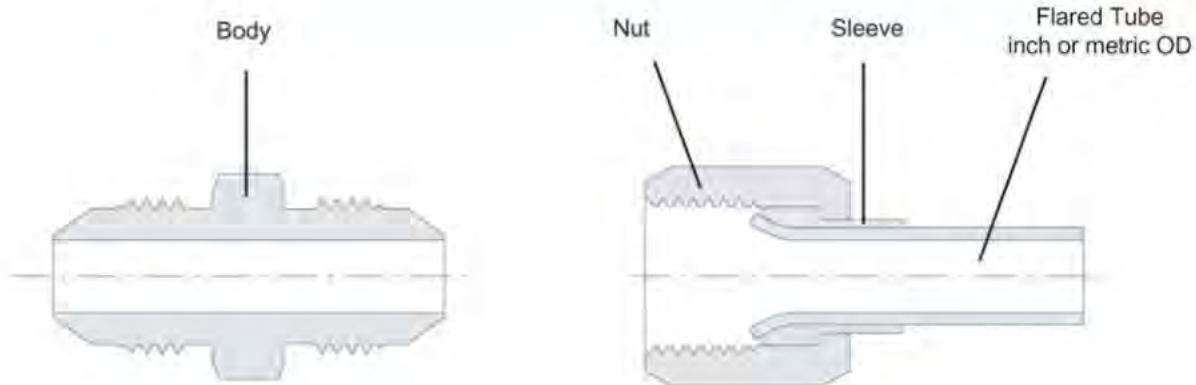


Table 1. Material Standards

Fitting Materials	Body		Nut and Sleeve	Flared Tubing (Not supplied)
	Bar Stock	Forging		
Stainless Steel 316	ASTM A276/A479 Type 316/316L	ASTM A182 F316/F316L	ASTM A276/A479 Type 316/316L Nut supplied with inside Molybdenum coated.	ASTM A269 ASTM A213
Carbon Steel	ASTM A108 JIS G4051 S20C - S48C	ASTM A105 JIS G4051 S20C - S48C	ASTM A108 JIS G4051 S20C - S48C Nut supplied with inside Molybdenum coated.	ASTM A179 ASTM A161
Brass	ASTM B453 UNS C35300 JIS H3250 Alloy C3604	ASTM B283 UNS 37700 JIS G4051 Alloy C3771	ASTM B453 UNS C35300 JIS H3250 Alloy C3604 Nut supplied with inside lubricated.	Copper Tubing ASTM B88 ASTM B75

Table 2. Working Pressure Rating

For fitting materials of Stainless steel and Carbon steel.

SAE Nominal Size	Tube OD		Union and Bulkheads		Fitting with Female Swivel		Fitting with Pipe Thread	
	inch	mm	psi	bar	psi	bar	psi	bar
2	1/8	3	5000	345	5000	345	5000	345
3	3/16	4	5000	345	5000	345	5000	345
4	1/4	6	5000	345	4500	310	5000	345
5	5/16	8	5000	345	4000	275	5000	345
6	3/8	10	5000	345	4000	275	4000	275
8	1/2	12	4500	310	4000	275	3000	210
10	5/8	16	3500	240	3000	210	3000	210
12	3/4	18, 20	3500	240	3000	210	2500	170
14	7/8	22	3000	210	2500	170	2500	170
16	1	25	3000	210	2500	170	2000	140
20	1 1/4	32	2500	170	2000	140	1150	80
24	1 1/2	38	2000	140	1500	105	1000	70
32	2	50	1500	105	1125	80	1000	70

Table 3. Suggested Tubing Wall Thickness

SAE Nominal Size	Inch Tube OD inch	Wall Thickness, inch		Metric Tube OD mm	Wall Thickness, mm	
		Min.	Max.		Min.	Max.
2	1/8	0.010	0.035	-	-	-
3	3/16	0.010	0.035	-	-	-
4	1/4	0.020	0.065	6	0.5	2.0
5	5/16	0.020	0.065	8	0.5	2.0
6	3/8	0.028	0.065	10	0.5	2.0
8	1/2	0.035	0.083	12	1.0	2.0
10	5/8	0.035	0.095	16	1.0	2.5
12	3/4	0.035	0.109	18, 20	1.0	3.0
14	7/8	0.035	0.109	22	1.0	3.0
16	1	0.035	0.120	25	1.0	3.0
20	1 1/4	0.049	0.120	32	1.5	3.0
24	1 1/2	0.049	0.120	38	1.5	3.0
32	2	0.058	0.134	50	1.5	3.5

Table 4. Fittings Surface Finish

Sainless Steel	Carbon Steel	Brass
Passivation	Yellow Zinc plated	Acid Cleaned. On request, chrome plated brass fitting can be supplied.

Ordering Information

To order a fitting with nut and sleeve, select an applicable part number and fitting material designator.

Example : KU-2T-S

To order a fitting with nut and sleeve factory assembled, select an applicable part number, fitting material designator and suffix A to the ordering number.

Example : KU-2T-SA

Table 5. Fitting Material Designator

Sainless Steel 316	Carbon Steel	Brass
S	C	B

Table 6. Tube OD Designator

OD inch	1/16	1/8	3/16	1/4	5/16	3/8	1/2	5/8	3/4	7/8	1	1 1/4	1 1/2	2
Designator	1	2	3	4	5	6	8	10	12	14	16	20	24	36
OD mm	4mm	6mm	8mm	10mm	12mm	16mm	18mm	20mm	22mm	25mm	25mm	32mm	38mm	50mm
Designator	4M	6M	8M	10M	12M	16M	18M	20M	22M	25M	25M	32M	38M	50M

Table 7. Thread Symbol Designator

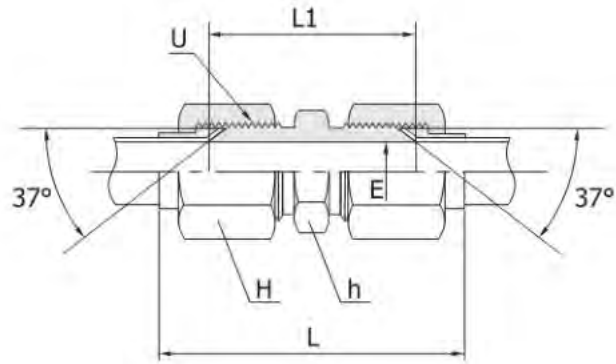
Thread	Symbol	Standards
Taper Thread	N	ASME/ANSI B1.20.1
	R	ISO 7-1, BS 21, JIS B 0203
Parallel Thread	G	ISO 228-1, BS 2779, JIS B0202
	U	ASME B1.1

Table 8. Taper Pipe Thread Designator

Nominal Size	1/8	1/4	3/8	1/2	3/4	1	1 1/4	1 1/2	2
N	2N	4N	6N	8N	12N	16N	20N	24N	32N
R	2R	4R	6R	8R	12R	16R	20R	24R	32R

Table 9. ASME B1.1 Unified Thread Designator

Size	5/16	3/8	7/16	1/2	9/16	3/4	7/8	1 1/16	1 3/16	1 5/16	1 5/8	1 7/8	2 1/2
Size Designator	2	3	4	5	6	8	10	12	14	16	20	24	32

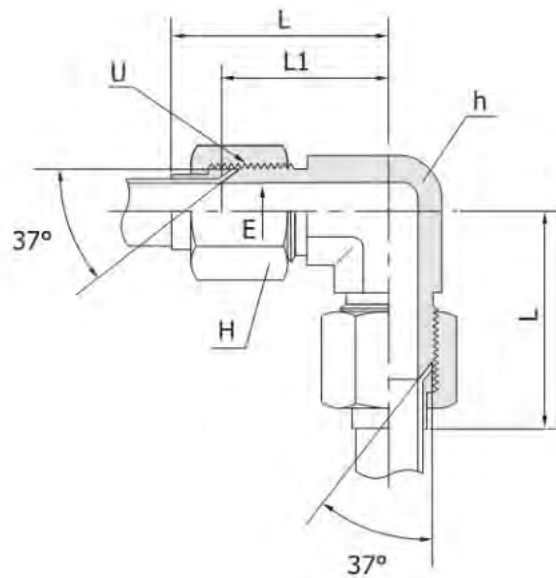


Tube to Tube Union

Part No.	Tube O.D		U (UNF)	E	L	L1	h (HEX)	H (HEX)
	Inch	Metric						
KU-2T	1/8"	3	5/16"-24	1.6	45.3	29.7	11.1	9.5
KU-3T	3/16"	4	3/8"-24	3.2	50.0	31.2	11.1	11.1
KU-4T	1/4"	6	7/16"-20	4.4	53.0	34.8	12.7	14.2
KU-5T	5/16"	8	1/2"-20	6.0	55.6	34.8	14.2	15.8
KU-6T	3/8"	10	9/16"-18	7.5	59.6	35.8	15.8	17.4
KU-8T	1/2"	12	3/4"-16	9.9	66.5	41.1	20.6	22.2
KU-10T	5/8"	16	7/8"-14	12.3	81.0	47.8	23.8	25.4
KU-12T	3/4"	18, 20	1 1/16"-12	15.5	85.9	54.9	28.5	31.7
KU-14T	7/8"	22	1 3/16"-12	18.0	91.3	56.1	31.7	34.9
KU-16T	1"	25	1 5/16"-12	21.5	95.2	57.2	34.9	38.1
KU-20T	1-1/4"	32	1 5/8"-12	27.5	98.7	61.7	46.0	50
KU-24T	1-1/2"	38	1 7/8"-12	33.3	123.2	69.8	50.0	57.2
KU-32T	2"	50	2 1/2"-12	45.0	141.4	86.4	70	75

Union Elbow

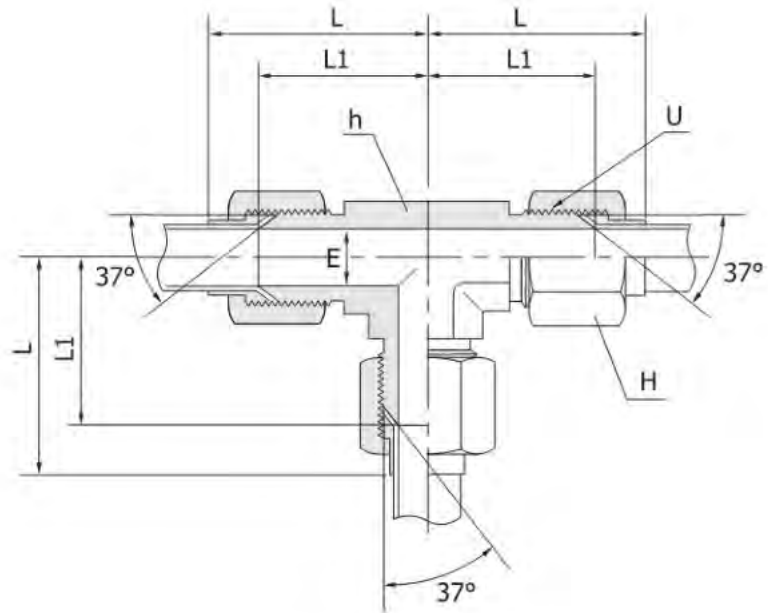
KL



Tube to Tube Union

Part No.	Tube O.D		U (UNF)	E	L	L1	h (HEX)	H (HEX)
	Inch	Metric						
KL-2T	1/8"	3	5/16"-24	1.6	27.4	19.6	11.1	9.5
KL-3T	3/16"	4	3/8"-24	3.2	30.5	21.1	11.1	11.1
KL-4T	1/4"	6	7/16"-20	4.4	31.7	22.6	11.1	14.2
KL-5T	5/16"	8	1/2"-20	6.0	34.5	24.1	14.2	15.8
KL-6T	3/8"	10	9/16"-18	7.5	38.8	26.9	14.2	17.4
KL-8T	1/2"	12	3/4"-16	9.9	44.5	31.8	19.1	22.2
KL-10T	5/8"	16	7/8"-14	12.3	53.4	36.8	22.2	25.4
KL-12T	3/4"	18, 20	1 1/16"-12	15.5	57.7	42.2	27.0	31.7
KL-14T	7/8"	22	1 3/16"-12	18.0	63.3	45.7	33.3	34.9
KL-16T	1"	25	1 5/16"-12	21.5	65.0	46.0	33.3	38.1
KL-20T	1-1/4"	32	1 5/8"-12	27.5	70.8	52.3	41.2	50
KL-24T	1-1/2"	38	1 7/8"-12	33.3	85.9	59.2	47.6	57.2
KL-32T	2"	50	2 1/2"-12	45.0	105.2	77.7	63.5	75

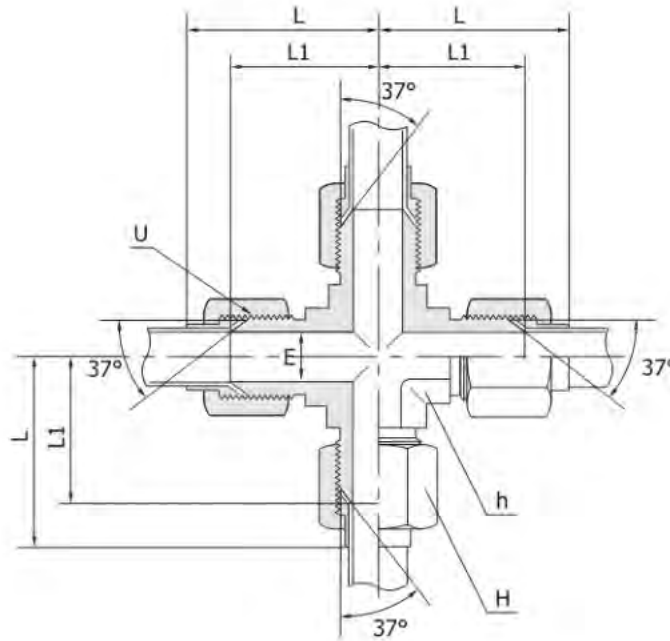
Union Tee
KT



Tube to Tube Union

Part No.	Tube O.D		U (UNF)	E	L	L1	h (HEX)	H (HEX)
	Inch	Metric						
KT-2T	1/8"	3	5/16"-24	1.6	27.4	19.6	11.1	9.5
KT-3T	3/16"	4	3/8"-24	3.2	30.5	21.1	11.1	11.1
KT-4T	1/4"	6	7/16"-20	4.4	31.7	22.6	11.1	14.2
KT-5T	5/16"	8	1/2"-20	6.0	34.5	24.1	14.2	15.8
KT-6T	3/8"	10	9/16"-18	7.5	38.8	26.9	14.2	17.4
KT-8T	1/2"	12	3/4"-16	9.9	44.5	31.8	19.1	22.2
KT-10T	5/8"	16	7/8"-14	12.3	53.4	36.8	22.2	25.4
KT-12T	3/4"	18, 20	1 1/16"-12	15.5	57.7	42.2	27.0	31.7
KT-14T	7/8"	22	1 3/16"-12	18.0	63.3	45.7	33.3	34.9
KT-16T	1"	25	1 5/16"-12	21.5	65.0	46.0	34.9	38.1
KT-20T	1-1/4"	32	1 5/8"-12	27.5	70.8	52.3	41.2	50
KT-24T	1-1/2"	38	1 7/8"-12	33.3	85.9	59.2	47.6	57.2
KT-32T	2"	50	2 1/2"-12	45.0	105.2	77.7	63.5	75

Union Cross
KX

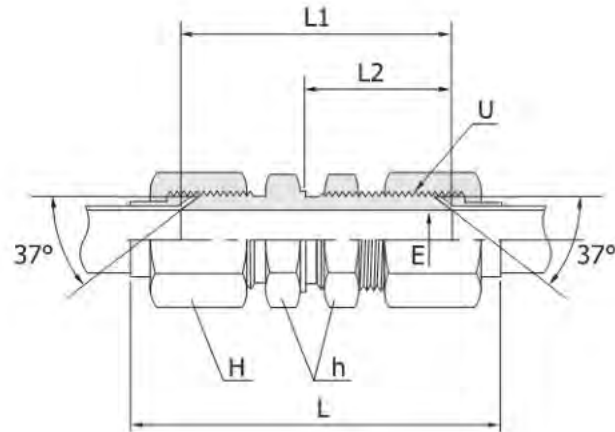


Tube to Tube Union

Part No.	Tube O.D		U (UNF)	E	L	LT	h (HEX)	H (HEX)
	Inch	Metric						
KX-2T	1/8"	3	5/16"-24	1.6	27.4	19.6	11.1	9.5
KX-3T	3/16"	4	3/8"-24	3.2	30.5	21.1	11.1	11.0
KX-4T	1/4"	6	7/16"-20	4.4	31.7	22.6	11.1	14.2
KX-5T	5/16"	8	1/2"-20	6.0	34.5	24.1	14.2	15.8
KX-6T	3/8"	10	9/16"-18	7.5	38.8	26.9	14.2	17.4
KX-8T	1/2"	12	3/4"-16	9.9	44.5	31.8	19.1	22.2
KX-10T	5/8"	16	7/8"-14	12.3	53.4	36.8	22.2	25.4
KX-12T	3/4"	18, 20	1 1/16"-12	15.5	57.7	42.2	27.0	31.7
KX-14T	7/8"	22	1 3/16"-12	18.0	63.3	45.7	33.3	34.9
KX-16T	1"	25	1 5/16"-12	21.5	65.0	46.0	34.9	38.1
KX-20T	1-1/4"	32	1 5/8"-12	27.5	70.8	52.3	41.2	50
KX-24T	1-1/2"	38	1 7/8"-12	33.3	85.9	59.2	47.6	57.2
KX-32T	2"	50	2 1/2"-12	45.0	105.2	77.7	63.5	75

Bulkhead Union

KUB

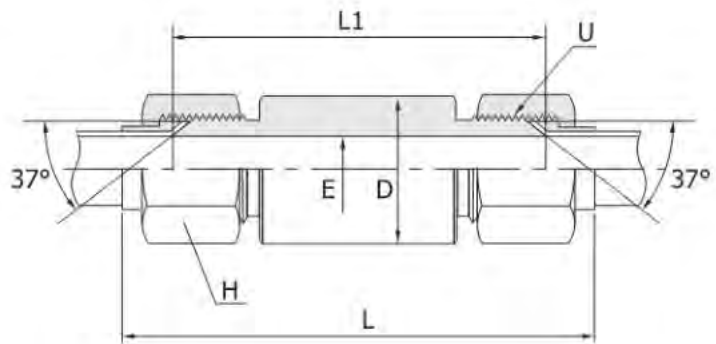


Tube to Tube Union

Part No.	Tube O.D		U (UNF)	E	L	L1	L2	h (HEX)	H (HEX)
	Inch	Metric							
KUB-2T	1/8"	3	5/16"-24	1.6	63.1	47.5	28.2	14.2	9.5
KUB-3T	3/16"	4	3/8"-24	3.2	67.1	48.3	28.2	15.8	11.1
KUB-4T	1/4"	6	7/16"-20	4.4	70.8	52.6	30.5	17.4	14.2
KUB-5T	5/16"	8	1/2"-20	6.0	73.4	52.6	30.5	19.1	15.8
KUB-6T	3/8"	10	9/16"-18	7.5	79.2	55.4	32.5	20.6	17.4
KUB-8T	1/2"	12	3/4"-16	9.9	87.4	62.0	36.6	25.4	22.2
KUB-10T	5/8"	16	7/8"-14	12.3	102.8	69.6	40.1	28.5	25.4
KUB-12T	3/4"	18, 20	1 1/16"-12	15.5	109.5	78.5	44.4	34.9	31.7
KUB-14T	7/8"	22	1 3/16"-12	18.0	114.4	79.2	44.4	38.1	34.9
KUB-16T	1"	25	1 5/16"-12	21.5	117.8	79.8	44.4	41.2	38.1
KUB-20T	1-1/4"	32	1 5/8"-12	27.5	121.1	84.1	45.7	47.6	50
KUB-24T	1-1/2"	38	1 7/8"-12	33.3	142.8	89.4	46.0	53.9	57.2
KUB-32T	2"	50	2 1/2"-12	45.0	161.7	106.7	53.1	69.8	75

Weld Bulkhead Union

KBUW

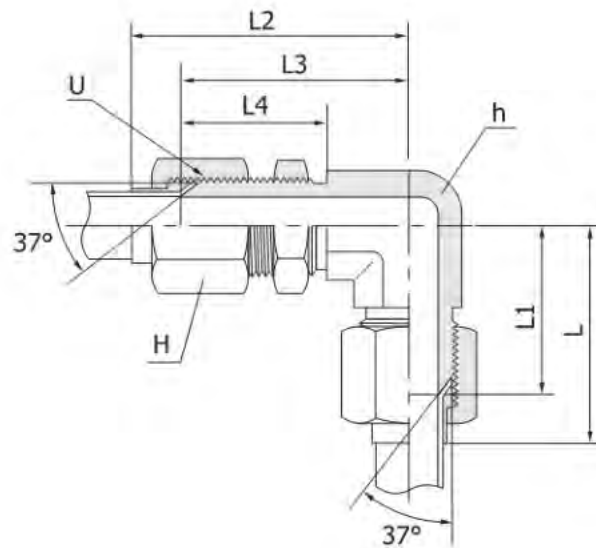


Tube to Tube Union

Part No.	Tube O.D		U (UNF)	E	D	L	L1	H (HEX)
	Inch	Metric						
KBUW-2T	1/8"	3	5/16"-24	1.6	11.0	85.6	70.0	9.5
KBUW-3T	3/16"	4	3/8"-24	3.2	11.0	88.8	70.0	11.1
KBUW-4T	1/4"	6	7/16"-20	4.4	14.0	98.2	80.0	14.2
KBUW-5T	5/16"	8	1/2"-20	6.0	16.0	120.8	100.0	15.8
KBUW-6T	3/8"	10	9/16"-18	7.5	17.0	123.8	100.0	17.4
KBUW-8T	1/2"	12	3/4"-16	9.9	22.0	125.4	100.0	22.2
KBUW-10T	5/8"	16	7/8"-14	12.3	25.0	143.2	110.0	25.4
KBUW-12T	3/4"	18, 20	1 1/16"-12	15.5	30.0	151.0	120.0	31.7
KBUW-14T	7/8"	22	1 3/16"-12	18.0	32.0	165.2	130.0	34.9
KBUW-16T	1"	25	1 5/16"-12	21.5	40.0	168.0	130.0	38.1
KBUW-20T	1-1/4"	32	1 5/8"-12	27.5	46.0	177.0	140.0	50
KBUW-24T	1-1/2"	38	1 7/8"-12	33.3	50.0	193.4	140.0	57.2
KBUW-32T	2"	50	2 1/2"-12	45.0	70.0	205.0	150.0	75

Bulkhead Union Elbow

KBL

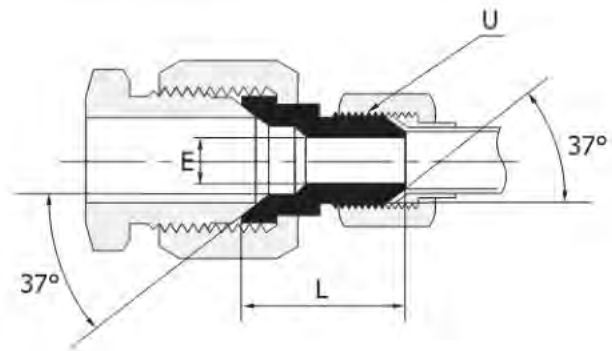
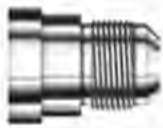


Tube to Tube Union

Part No.	Tube O.D		U (UNF)	L	L1	L2	L3	L4	h (HEX)	H (HEX)
	Inch	Metric								
KBL-2T	1/8"	3	5/16"-24	30.2	22.4	45.9	38.1	23.4	11.1	9.5
KBL-3T	3/16"	4	3/8"-24	33.3	23.9	47.5	38.1	23.4	11.1	11.1
KBL-4T	1/4"	6	7/16"-20	33.7	24.6	49.5	40.4	25.9	11.1	14.2
KBL-5T	5/16"	8	1/2"-20	37.3	26.9	54.1	43.7	25.9	14.2	15.8
KBL-6T	3/8"	10	9/16"-18	39.6	27.7	57.9	46.0	27.7	14.2	17.4
KBL-8T	1/2"	12	3/4"-16	47.2	34.5	66.3	53.6	31.8	19.1	22.2
KBL-10T	5/8"	16	7/8"-14	56.2	39.6	77.3	60.7	35.8	22.2	25.4
KBL-12T	3/4"	18, 20	1 1/16"-12	60.7	45.2	83.1	67.6	39.6	27.0	31.7
KBL-14T	7/8"	22	1 3/16"-12	66.4	48.8	88.7	71.1	39.6	33.3	34.9
KBL-16T	1"	25	1 5/16"-12	68.3	49.3	90.1	71.1	39.6	33.3	38.1
KBL-20T	1-1/4"	32	1 5/8"-12	73.6	55.1	97.7	79.2	40.9	41.2	50.8
KBL-24T	1-1/2"	38	1 7/8"-12	86.1	59.4	113.6	86.9	41.1	47.6	57.1
KBL-32T	2"	50	2 1/2"-12	100.9	73.4	131.9	104.4	48.5	63.5	73.0

Fitting Port Reducer

KPR

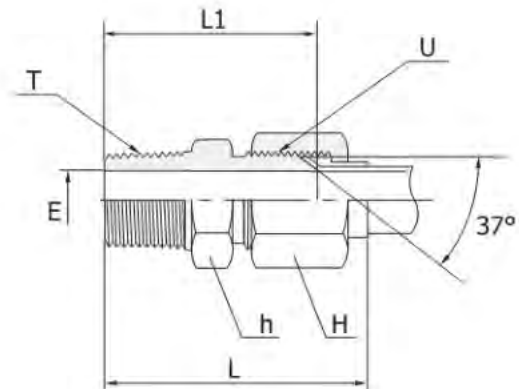


Tube Port to Tube Port

Part No.	Reducing Tube O.D	U (UNF)	E	L
KPR6T-4T	3/8" X 1/4"	7/16"-20	4.4	24.6
KPR8T-4T	1/2" X 1/4"	7/16"-20	4.4	25.4
KPR8T-6T	1/2" X 3/8"	9/16"-18	7.5	25.4
KPR10T-4T	5/8" X 1/4"	7/16"-20	4.4	26.2
KPR10T-6T	5/8" X 3/8"	9/16"-18	7.5	26.2
KPR12T-4T	3/4" X 1/4"	7/16"-20	4.4	27.7
KPR12T-6T	3/4" X 3/8"	9/16"-18	7.5	27.7
KPR12T-8T	3/4" X 1/2"	3/4"-16	10.0	30.2
KPR16T-12T	1" X 3/4"	1-1/16"-12	15.5	37.3
KPR20T-12T	1-1/4" X 3/4"	1-1/16"-12	15.5	38.3
KPR20T-16T	1-1/4" X 1"	1-5/16"-12	21.5	40.3
KPR24T-20T	1-1/2" X 1-1/4"	1 5/8"-12	27.5	42.9

Male Connector

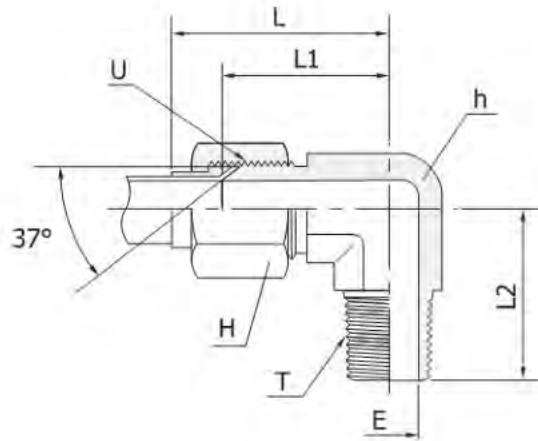
KMC



Tube to Male Pipe

Part No.	Tube O.D		T (NPT)	U (UNF)	E	L	L1	h (HEX)	H (HEX)
	Inch	Metric							
KMC2T-2N	1/8"	3	1/8"	5/16"-24	1.6	36.0	28.2	11.1	9.5
KMC3T-2N	3/16"	4	1/8"	3/8"-24	3.2	38.4	29.0	11.1	11.1
KMC4T-2N	1/4"	6	1/8"	7/16"-20	4.4	40.1	31.0	12.7	14.2
KMC5T-2N	5/16"	8	1/8"	1/2"-20	6.0	41.4	31.0	14.2	15.8
KMC6T-4N	3/8"	10	1/4"	9/16"-18	7.5	48.2	36.3	15.8	17.4
KMC8T-6N	1/2"	12	3/8"	3/4"-16	9.9	51.6	38.9	20.6	22.2
KMC10T-8N	5/8"	16	1/2"	7/8"-14	12.3	64.6	48.0	20.6	25.4
KMC12T-12N	3/4"	18, 20	3/4"	1 1/16"-12	15.5	67.8	52.3	28.5	31.7
KMC14T-12N	7/8"	22	3/4"	1 3/16"-12	18.0	70.7	53.1	31.7	34.9
KMC16T-16N	1"	25	1"	1 5/16"-12	21.5	77.4	58.4	34.9	38.1
KMC20T-20N	1-1/4"	32	1-1/4"	1 5/8"-12	27.5	80.7	62.2	42.8	50
KMC24T-24N	1-1/2"	38	1-1/2"	1 7/8"-12	33.3	94.8	68.1	50.8	57.2
KMC32T-32N	2"	50	2"	2 1/2"-12	45.0	106.5	79.0	66.6	75

Male Elbow
KLM

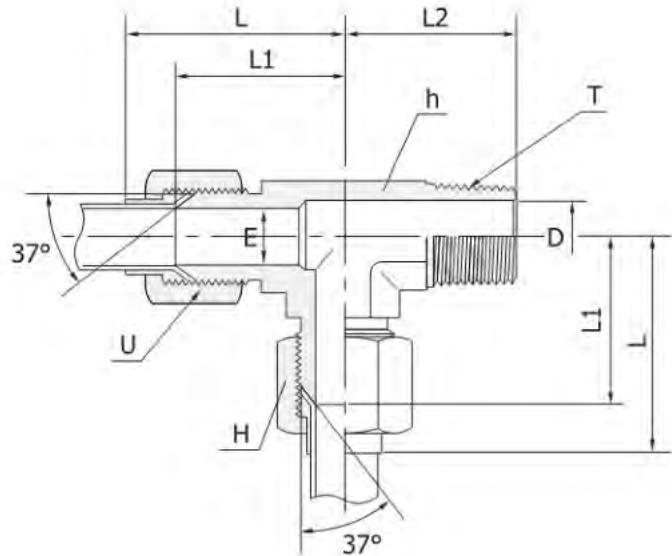


Tube to Male Pipe

Part No.	Tube O.D		T (NPT)	U (UNF)	E	L	L1	L2	h (HEX)	H (HEX)
	Inch	Metric								
KLM2T-2N	1/8"	3	1/8"	5/16"-24	1.6	27.4	19.6	18.3	11.1	9.5
KLM3T-2N	3/16"	4	1/8"	3/8"-24	3.2	30.5	21.1	18.3	11.1	11.1
KLM4T-2N	1/4"	6	1/8"	7/16"-20	4.4	31.7	22.6	19.8	11.1	14.2
KLM5T-2N	5/16"	8	1/8"	1/2"-20	6.0	34.5	24.1	19.8	14.2	15.8
KLM6T-4N	3/8"	10	1/4"	9/16"-18	7.5	38.8	26.9	27.7	14.2	17.4
KLM8T-6N	1/2"	12	3/8"	3/4"-16	9.9	44.5	31.8	31.0	19.1	22.2
KLM10T-8N	5/8"	16	1/2"	7/8"-14	12.3	53.4	36.8	37.3	22.2	25.4
KLM12T-12N	3/4"	18, 20	3/4"	1 1/16"-12	15.5	57.7	42.2	40.4	27.0	31.7
KLM14T-12N	7/8"	22	3/4"	1 3/16"-12	18.0	63.3	45.7	42.9	33.3	34.9
KLM16T-16N	1"	25	1"	1 5/16"-12	21.5	65.0	46.0	50.0	33.3	38.1
KLM20T-20N	1-1/4"	32	1-1/4"	1 5/8"-12	27.5	70.8	52.3	60.5	41.2	50
KLM24T-24N	1-1/2"	38	1-1/2"	1 7/8"-12	33.3	85.9	59.2	67.1	47.6	57.2
KLM32T-32N	2"	50	2"	2 1/2"-12	45.0	105.2	77.7	76.2	63.5	75

Male Run Tee

KTRM

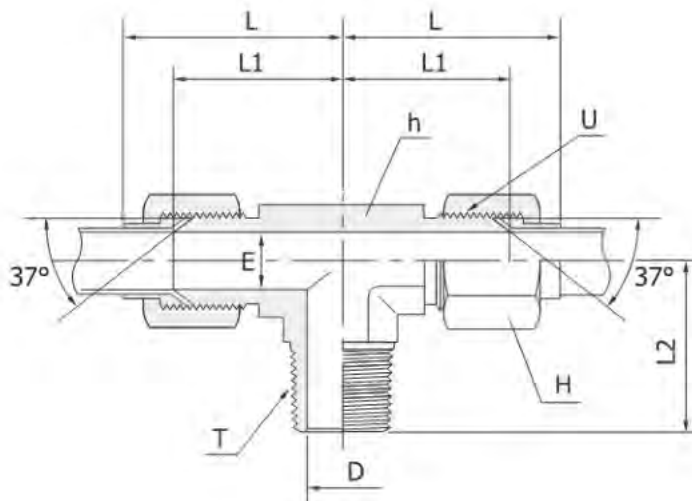


Tube to Male Pipe

Part No.	Tube O.D		T (NPT)	U (UNF)	E	D	L	L1	L2	h (HEX)	H (HEX)
	Inch	Metric									
KTRM2T-2N	1/8"	3	1/8"	5/16"-24	1.6	4.8	27.4	19.6	18.3	11.1	9.5
KTRM3T-2N	3/16"	4	1/8"	3/8"-24	3.2	4.8	30.5	21.1	18.3	11.1	11.1
KTRM4T-2N	1/4"	6	1/8"	7/16"-20	4.4	4.8	31.7	22.6	19.8	11.1	14.2
KTRM5T-2N	5/16"	8	1/8"	1/2"-20	6.0	4.8	34.5	24.1	19.8	14.2	15.8
KTRM6T-4N	3/8"	10	1/4"	9/16"-18	7.5	7.0	38.8	26.9	27.7	14.2	17.4
KTRM8T-6N	1/2"	12	3/8"	3/4"-16	9.9	10.3	44.5	31.8	31.0	19.1	22.2
KTRM10T-8N	5/8"	16	1/2"	7/8"-14	12.3	13.5	53.4	36.8	37.3	22.2	25.4
KTRM12T-12N	3/4"	18, 20	3/4"	1 1/16"-12	15.5	18.0	57.7	42.2	40.4	27.0	31.7
KTRM14T-12N	7/8"	22	3/4"	1 3/16"-12	18.0	18.0	63.3	45.7	42.9	33.3	34.9
KTRM16T-16N	1"	25	1"	1 5/16"-12	21.5	23.8	65.0	46.0	50.0	33.3	38.1
KTRM20T-20N	1-1/4"	32	1-1/4"	1 5/8"-12	27.5	31.7	70.8	52.3	60.5	41.2	50
KTRM24T-24N	1-1/2"	38	1-1/2"	1 7/8"-12	33.3	38.0	85.9	59.2	67.1	47.6	57.2
KTRM32T-32N	2"	50	2"	2 1/2"-12	45.0	49.0	105.2	77.7	76.2	63.5	75

Male Branch Tee

KTBM

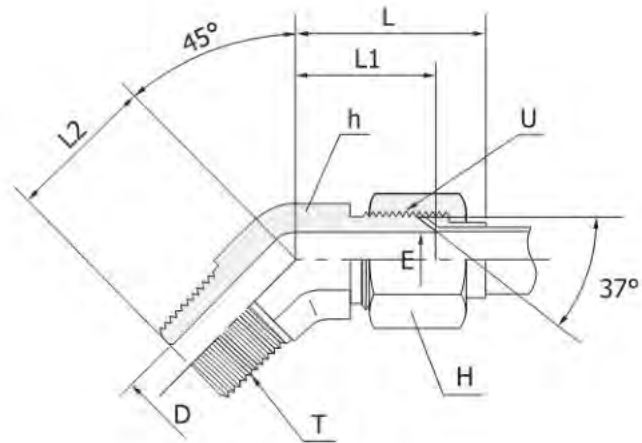


Tube to Male Pipe

Part No.	Tube O.D		T (NPT)	U (UNF)	E	D	L	L1	L2	h (HEX)	H (HEX)
	Inch	Metric									
KTBM2T-2N	1/8"	3	1/8"	5/16"-24	1.6	4.8	27.4	19.6	18.3	11.1	9.5
KTBM3T-2N	3/16"	4	1/8"	3/8"-24	3.2	4.8	30.5	21.1	18.3	11.1	11.1
KTBM4T-2N	1/4"	6	1/8"	7/16"-20	4.4	4.8	31.7	22.6	19.8	11.1	14.2
KTBM5T-2N	5/16"	8	1/8"	1/2"-20	6.0	4.8	34.5	24.1	19.8	14.2	15.8
KTBM6T-4N	3/8"	10	1/4"	9/16"-18	7.5	7.0	38.8	26.9	27.7	14.2	17.4
KTBM8T-6N	1/2"	12	3/8"	3/4"-16	9.9	10.3	44.5	31.8	31.0	19.1	22.2
KTBM10T-8N	5/8"	16	1/2"	7/8"-14	12.3	13.5	53.4	36.8	37.3	22.2	25.4
KTBM12T-12N	3/4"	18, 20	3/4"	1 1/16"-12	15.5	18.0	57.7	42.2	40.4	27.0	31.7
KTBM14T-12N	7/8"	22	3/4"	1 3/16"-12	18.0	18.0	63.3	45.7	42.9	33.3	34.9
KTBM16T-16N	1"	25	1"	1 5/16"-12	21.5	23.8	65.0	46.0	50.0	33.3	38.1
KTBM20T-20N	1-1/4"	32	1-1/4"	1 5/8"-12	27.5	31.7	70.8	52.3	60.5	41.2	50
KTBM24T-24N	1-1/2"	38	1-1/2"	1 7/8"-12	33.3	38.0	85.9	59.2	67.1	47.6	57.2
KTBM32T-32N	2"	50	2"	2 1/2"-12	45.0	49.0	105.2	77.7	76.2	63.5	75

45° Male Elbow

KLBM

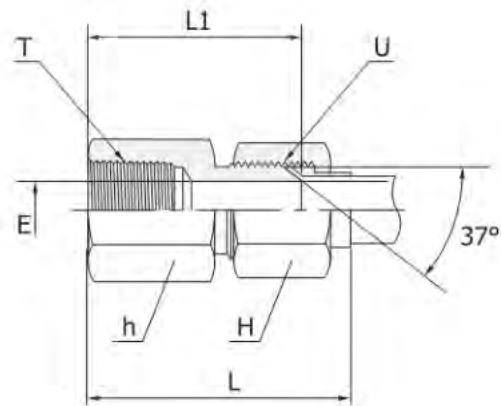


Tube to Male Pipe

Part No.	Tube O.D		T (NPT)	U (UNF)	E	D	L	L1	L2	h (HEX)	H (HEX)
	Inch	Metric									
KLBM2T-2N	1/8"	3	1/8"	5/16"-24	1.6	1.6	25.3	17.5	13.2	11.1	9.5
KLBM3T-2N	3/16"	4	1/8"	3/8"-24	3.2	3.2	26.9	17.5	13.2	11.1	11.1
KLBM4T-2N	1/4"	6	1/8"	7/16"-20	4.4	4.4	27.4	18.3	16.3	11.1	14.2
KLBM5T-2N	5/16"	8	1/8"	1/2"-20	6.0	6.0	30.0	19.6	16.3	14.2	15.8
KLBM6T-4N	3/8"	10	1/4"	9/16"-18	7.5	7.5	33.0	21.1	21.8	14.2	17.4
KLBM8T-6N	1/2"	12	3/8"	3/4"-16	9.9	9.9	37.6	24.9	24.1	19.1	22.2
KLBM10T-8N	5/8"	16	1/2"	7/8"-14	12.3	12.3	44.8	28.2	29.7	22.2	25.4
KLBM12T-12N	3/4"	18, 20	3/4"	1 1/16"-12	15.5	15.5	48.0	32.5	30.5	27.0	31.7
KLBM14T-12N	7/8"	22	3/4"	1 3/16"-12	18.0	18.0	54.4	36.8	33.3	33.3	34.9
KLBM16T-16N	1"	25	1"	1 5/16"-12	21.5	21.5	56.3	37.3	37.6	35.0	38.1
KLBM20T-20N	1-1/4"	32	1-1/4"	1 5/8"-12	27.5	27.5	58.9	40.4	42.4	41.2	50
KLBM24T-24N	1-1/2"	38	1-1/2"	1 7/8"-12	33.3	33.3	71.9	45.2	45.0	47.6	57.2
KLBM32T-32N	2"	50	2"	2 1/2"-12	45.0	45.0	83.9	56.4	53.6	63.5	75

Female Connector

KCF

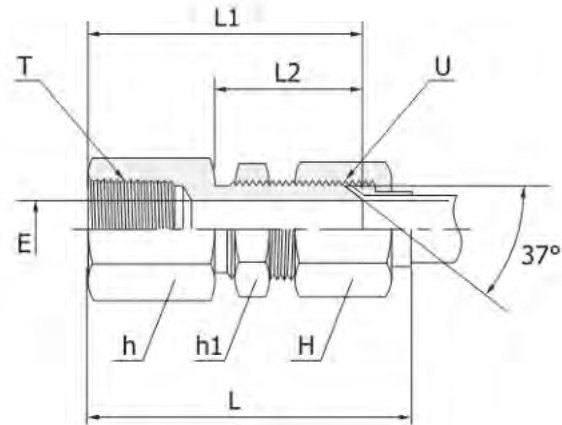


Tube to Female Pipe

Part No.	Tube O.D		T (NPT)	U (UNF)	E	L	L1	h (HEX)	H (HEX)
	Inch	Metric							
KCF2T-2N	1/8"	3	1/8"	5/16"-24	1.6	36.2	28.4	14.2	9.5
KCF3T-2N	3/16"	4	1/8"	3/8"-24	3.2	38.1	28.7	14.2	11.1
KCF4T-2N	1/4"	6	1/8"	7/16"-20	4.4	39.3	30.2	14.2	14.2
KCF5T-2N	5/16"	8	1/8"	1/2"-20	6.0	40.1	29.7	14.2	15.8
KCF6T-4N	3/8"	10	1/4"	9/16"-18	7.5	47.5	35.6	19.1	17.4
KCF8T-6N	1/2"	12	3/8"	3/4"-16	9.9	52.3	39.6	22.2	22.2
KCF10T-8N	5/8"	16	1/2"	7/8"-14	12.3	64.6	48.0	28.5	25.4
KCF12T-12N	3/4"	18, 20	3/4"	1 1/16"-12	15.5	67.8	52.3	34.9	31.7
KCF14T-12N	7/8"	22	3/4"	1 3/16"-12	18.0	69.9	52.3	34.9	34.9
KCF16T-16N	1"	25	1"	1 5/16"-12	21.5	78.7	59.7	41.2	38.1
KCF20T-20N	1-1/4"	32	1-1/4"	1 5/8"-12	27.5	81.7	63.2	50.8	50
KCF24T-24N	1-1/2"	38	1-1/2"	1 7/8"-12	33.3	93.2	66.5	60.3	57.2
KCF32T-32N	2"	50	2"	2 1/2"-12	45.0	102.9	75.4	73.0	75

Bulkhead Female Connector

KCBF

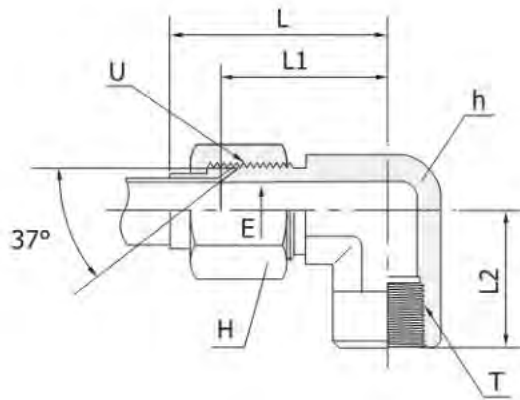


Tube to Female Pipe

Part No.	Tube O.D		T (NPT)	U (UNF)	E	L	L1	L2	h (HEX)	h1 (HEX)	H (HEX)
	Inch	Metric									
KCBF2T-2N	1/8"	3	1/8"	5/16"-24	1.6	49.0	41.2	28.2	14.2	14.2	9.5
KCBF3T-2N	3/16"	4	1/8"	3/8"-24	3.2	50.6	41.2	28.2	14.2	15.8	11.1
KCBF4T-2N	1/4"	6	1/8"	7/16"-20	4.4	52.6	46.7	30.5	17.4	17.4	14.2
KCBF5T-2N	5/16"	8	1/8"	1/2"-20	6.0	53.9	43.5	30.5	19.1	19.1	15.8
KCBF6T-4N	3/8"	10	1/4"	9/16"-18	7.5	62.5	52.3	32.5	20.6	20.6	17.4
KCBF8T-6N	1/2"	12	3/8"	3/4"-16	9.9	69.3	54.4	36.6	25.4	25.4	22.2
KCBF10T-8N	5/8"	16	1/2"	7/8"-14	12.3	82.7	67.5	40.1	28.5	28.5	25.4
KCBF12T-12N	3/4"	18, 20	3/4"	1 1/16"-12	15.5	86.0	73.9	44.4	34.9	34.9	31.7
KCBF14T-12N	7/8"	22	3/4"	1 3/16"-12	18.0	89.0	73.4	44.4	38.1	38.1	34.9
KCBF16T-16N	1"	25	1"	1 5/16"-12	21.5	94.4	78.5	44.4	41.2	41.2	38.1
KCBF20T-20N	1-1/4"	32	1-1/4"	1 5/8"-12	27.5	99.2	80.7	45.7	50.8	47.6	50
KCBF24T-24N	1-1/2"	38	1-1/2"	1 7/8"-12	33.3	107.7	85.1	46.0	53.9	53.9	57.2
KCBF32T-32N	2"	50	2"	2 1/2"-12	45.0	120.6	93.1	53.1	75	69.8	75

Female Elbow

KLF

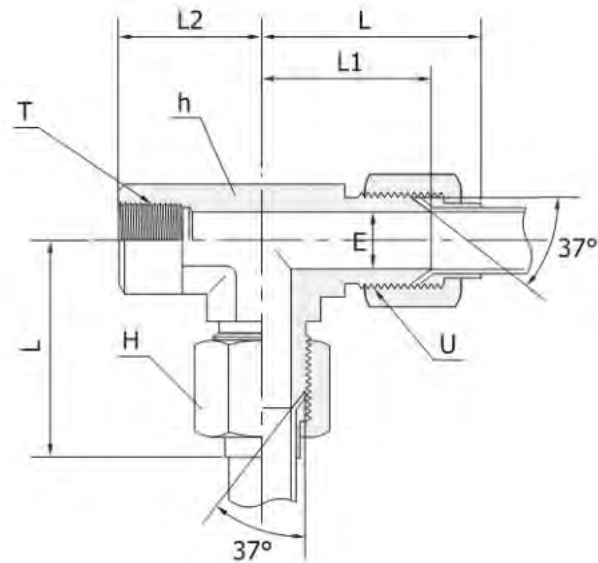


Tube to Female Pipe

Part No.	Tube O.D		T (NPT)	U (UNF)	E	L	L1	L2	h (HEX)	H (HEX)
	Inch	Metric								
KLF2T-2N	1/8"	3	1/8"	5/16"-24	1.6	33.2	25.4	16.8	14.2	9.5
KLF3T-2N	3/16"	4	1/8"	3/8"-24	3.2	35.6	26.2	16.8	14.2	11.1
KLF4T-2N	1/4"	6	1/8"	7/16"-20	4.4	36.5	27.4	16.8	14.2	14.2
KLF5T-2N	5/16"	8	1/8"	1/2"-20	6.0	37.8	27.4	16.8	14.2	15.8
KLF6T-4N	3/8"	10	1/4"	9/16"-18	7.5	43.1	31.2	22.4	19.1	17.4
KLF8T-6N	1/2"	12	3/8"	3/4"-16	9.9	48.8	36.1	25.9	22.2	22.2
KLF10T-8N	5/8"	16	1/2"	7/8"-14	12.3	58.3	41.7	31.2	27.0	25.4
KLF12T-12N	3/4"	18, 20	3/4"	1 1/16"-12	15.5	63.5	48.0	34.5	33.3	31.7
KLF14T-12N	7/8"	22	3/4"	1 3/16"-12	18.0	64.8	47.2	36.1	33.3	34.9
KLF16T-16N	1"	25	1"	1 5/16"-12	21.5	74.1	55.1	41.1	41.2	38.1
KLF20T-20N	1-1/4"	32	1-1/4"	1 5/8"-12	27.5	77.7	59.2	43.2	47.6	50
KLF24T-24N	1-1/2"	38	1-1/2"	1 7/8"-12	33.3	100.1	73.4	52.8	65.1	57.2
KLF32T-32N	2"	50	2"	2 1/2"-12	45.0	111.3	83.8	60.7	71.4	75

Female Run Tee

KTRF

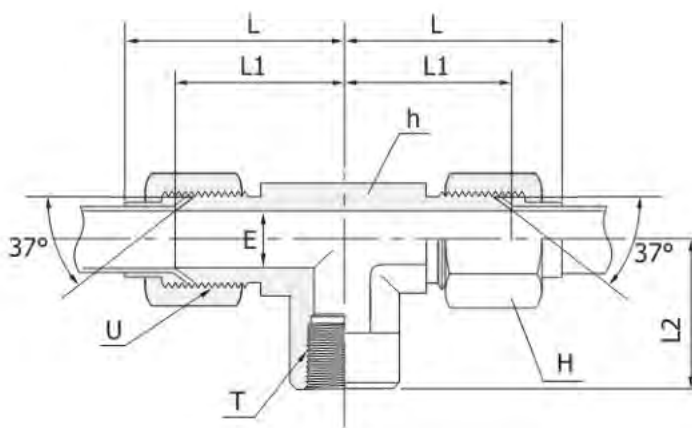


Tube to Female Pipe

Part No.	Tube O.D		T (NPT)	U (UNF)	E	L	L1	L2	h (HEX)	H (HEX)
	Inch	Metric								
KTRF2T-2N	1/8"	3	1/8"	5/16"-24	1.6	33.2	25.4	16.8	14.2	9.5
KTRF3T-2N	3/16"	4	1/8"	3/8"-24	3.2	35.6	26.2	16.8	14.2	11.1
KTRF4T-2N	1/4"	6	1/8"	7/16"-20	4.4	36.5	27.4	16.8	14.2	14.2
KTRF5T-2N	5/16"	8	1/8"	1/2"-20	6.0	37.8	27.4	16.8	14.2	15.8
KTRF6T-4N	3/8"	10	1/4"	9/16"-18	7.5	43.1	31.2	22.4	19.1	17.4
KTRF8T-6N	1/2"	12	3/8"	3/4"-16	9.9	48.8	36.1	25.9	22.2	22.2
KTRF10T-8N	5/8"	16	1/2"	7/8"-14	12.3	58.3	41.7	31.2	27.0	25.4
KTRF12T-12N	3/4"	18, 20	3/4"	1 1/16"-12	15.5	63.5	48.0	34.5	33.3	31.7
KTRF14T-12N	7/8"	22	3/4"	1 3/16"-12	18.0	64.8	47.2	36.1	33.3	34.9
KTRF16T-16N	1"	25	1"	1 5/16"-12	21.5	74.1	55.1	41.1	41.2	38.1
KTRF20T-20N	1-1/4"	32	1-1/4"	1 5/8"-12	27.5	77.7	59.2	43.2	47.6	50
KTRF24T-24N	1-1/2"	38	1-1/2"	1 7/8"-12	33.3	100.1	73.4	52.8	65.1	57.2
KTRF32T-32N	2"	50	2"	2 1/2"-12	45.0	111.3	83.8	60.7	71.4	75

Female Branch Tee

KTBF

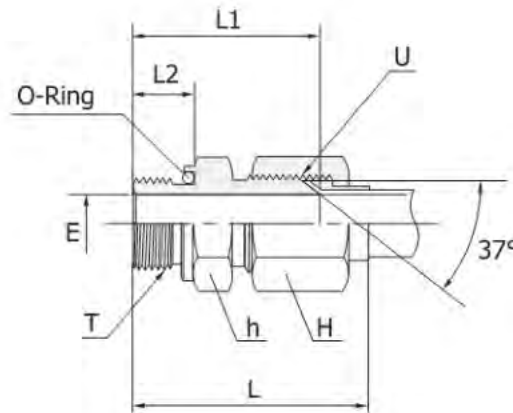


Tube to Female Pipe

Part No.	Tube O.D		T (NPT)	U (UNF)	E	L	L1	L2	h (HEX)	H (HEX)
	Inch	Metric								
KTBF2T-2N	1/8"	3	1/8"	5/16"-24	1.6	33.2	25.4	16.8	14.2	9.5
KTBF3T-2N	3/16"	4	1/8"	3/8"-24	3.2	35.6	26.2	16.8	14.2	11.1
KTBF4T-2N	1/4"	6	1/8"	7/16"-20	4.4	36.5	27.4	16.8	14.2	14.2
KTBF5T-2N	5/16"	8	1/8"	1/2"-20	6.0	37.8	27.4	16.8	14.2	15.8
KTBF6T-4N	3/8"	10	1/4"	9/16"-18	7.5	43.1	31.2	22.4	19.1	17.4
KTBF8T-6N	1/2"	12	3/8"	3/4"-16	9.9	48.8	36.1	25.9	22.2	22.2
KTBF10T-8N	5/8"	16	1/2"	7/8"-14	12.3	58.3	41.7	31.2	27.0	25.4
KTBF12T-12N	3/4"	18, 20	3/4"	1 1/16"-12	15.5	63.5	48.0	34.5	33.3	31.7
KTBF14T-12N	7/8"	22	3/4"	1 3/16"-12	18.0	64.8	47.2	36.1	33.3	34.9
KTBF16T-16N	1"	25	1"	1 5/16"-12	21.5	74.1	55.1	41.1	41.2	38.1
KTBF20T-20N	1-1/4"	32	1-1/4"	1 5/8"-12	27.5	77.7	59.2	43.2	47.6	50
KTBF24T-24N	1-1/2"	38	1-1/2"	1 7/8"-12	33.3	100.1	73.4	52.8	65.1	57.2
KTBF32T-32N	2"	50	2"	2 1/2"-12	45.0	111.3	83.8	60.7	71.4	75

O-Seal G Male Connector

KMC-GO

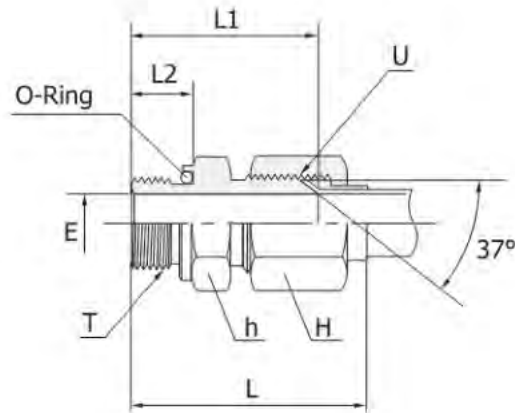


Tube to Straight Thread

Part No.	Tube O.D		T (PF)	U (UNF)	E	L	L1	L2	h (HEX)	H (HEX)
	Inch	Metric								
KMC2T-2GO	1/8"	3	1/8"	5/16"-24	1.6	35.3	27.5	8.0	11.1	9.5
KMC3T-2GO	3/16"	4	1/8"	3/8"-24	3.2	37.9	28.5	8.0	12.7	11.0
KMC4T-2GO	1/4"	6	1/8"	7/16"-20	4.4	39.3	30.2	8.0	14.2	14.2
KMC5T-2GO	5/16"	8	1/8"	1/2"-20	6.0	40.6	30.2	8.0	15.8	16.0
KMC6T-4GO	3/8"	10	1/4"	9/16"-18	7.5	46.9	35.0	12.0	17.4	17.4
KMC8T-6GO	1/2"	12	3/8"	3/4"-16	9.9	51.4	38.7	12.0	22.2	22.2
KMC10T-8GO	5/8"	16	1/2"	7/8"-14	12.3	61.1	44.5	14.0	25.4	25.4
KMC12T-12GO	3/4"	18, 20	3/4"	1 1/16"-12	15.5	66.4	50.9	16.0	31.7	32.0
KMC14T-12GO	7/8"	22	3/4"	1 3/16"-12	18.0	69.0	51.4	16.0	34.9	35.0
KMC16T-16GO	1"	25	1"	1 5/16"-12	21.5	71.7	52.7	18.0	38.0	38.0
KMC20T-20GO	1-1/4"	32	1-1/4"	1 5/8"-12	37.5	78.5	60.0	20.0	42.8	50.8
KMC24T-24GO	1-1/2"	38	1-1/2"	1 7/8"-12	33.0	92.8	66.1	21.0	55.0	57.0
KMC32T-32GO	2"	50	2"	2 1/2"-12	45.0	108.0	80.5	25.0	70.0	73.0

O-Seal UNF Male Connector

KMCS-U

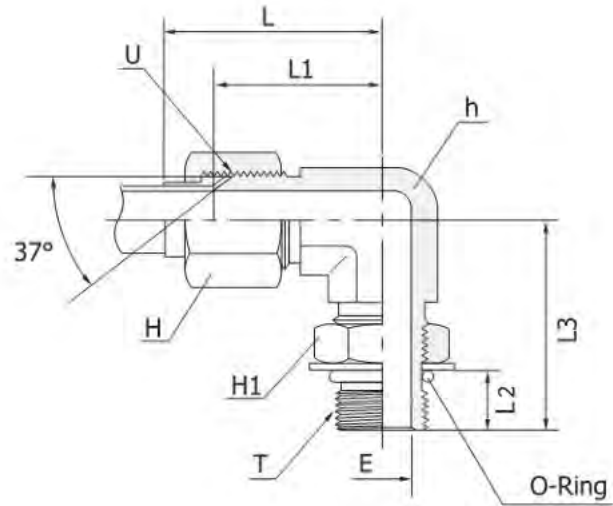


Tube to Straight Thread

Part No.	Tube O.D		T (UNF)	U (UNF)	E	L	L1	L2	h (HEX)	H (HEX)
	Inch	Metric								
KMCS2T-2U	1/8"	3	5/16"-24	5/16"-24	1.6	34.7	26.9	7.5	11.1	9.5
KMCS3T-3U	3/16"	4	3/8"-24	3/8"-24	3.2	37.3	27.9	7.5	12.7	11.1
KMCS4T-4U	1/4"	6	7/16"-20	7/16"-20	4.4	40.3	31.2	9.1	14.2	14.2
KMCS5T-5U	5/16"	8	1/2"-20	1/2"-20	6.0	41.6	31.2	9.1	15.8	15.8
KMCS6T-6U	3/8"	10	9/16"-18	9/16"-18	7.5	44.9	33.0	9.9	17.4	17.4
KMCS8T-8U	1/2"	12	3/4"-16	3/4"-16	9.9	50.3	37.6	11.1	22.2	22.2
KMCS10T-10U	5/8"	16	7/8"-14	7/8"-14	12.3	59.8	43.2	12.7	25.4	25.4
KMCS12T-12U	3/4"	18, 20	1 1/16"-12	1 1/16"-12	15.5	65.5	50.0	15.1	31.7	31.7
KMCS14T-14U	7/8"	22	1 3/16"-12	1 3/16"-12	18.0	68.1	50.5	15.1	34.9	34.9
KMCS16T-16U	1"	25	1 5/16"-12	1 5/16"-12	21.5	70.8	51.8	15.1	38.1	38.1
KMCS20T-20U	1-1/4"	32	1 5/8"-12	1 5/8"-12	27.5	73.6	55.1	15.1	47.6	50
KMCS24T-24U	1-1/2"	38	1 7/8"-12	1 7/8"-12	33.3	86.9	60.2	15.1	53.9	57.2
KMCS32T-32U	2"	50	2 1/2"-12	2 1/2"-12	45.0	98.1	70.6	15.1	69.8	75

O-Seal UNF Male Elbow

KLS-UP

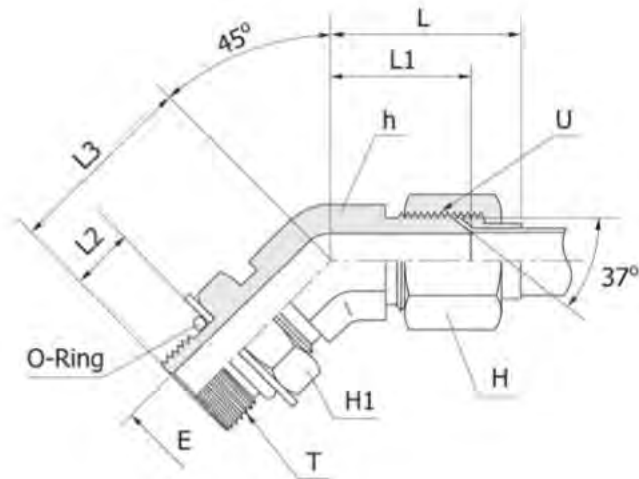


Tube to Straight Thread

Part No.	Tube O.D		T (UNF)	U (UNF)	E	L	L1	L2	L3	h (HEX)	H (HEX)	H1 (HEX)
	Inch	Metric										
KLS2T-2UP	1/8"	3	5/16"-24	5/16"-24	1.6	27.4	19.6	8.4	23.9	11.1	9.5	11.1
KLS3T-3UP	3/16"	4	3/8"-24	3/8"-24	3.2	30.5	21.1	8.4	23.9	11.1	11.1	12.7
KLS4T-4UP	1/4"	6	7/16"-20	7/16"-20	4.4	31.7	22.6	9.8	26.2	11.1	14.2	14.2
KLS5T-5UP	5/16"	8	1/2"-20	1/2"-20	6.0	34.5	24.1	9.8	28.7	14.2	15.8	15.8
KLS6T-6UP	3/8"	10	9/16"-18	9/16"-18	7.5	38.8	26.9	11	31.8	14.2	17.4	17.4
KLS8T-8UP	1/2"	12	3/4"-16	3/4"-16	9.9	44.5	31.8	12.5	36.8	19.1	22.2	22.2
KLS10T-10UP	5/8"	16	7/8"-14	7/8"-14	12.3	53.4	36.8	14.3	43.2	22.2	25.4	25.4
KLS12T-12UP	3/4"	18, 20	1 1/16"-12	1 1/16"-12	15.5	57.7	42.2	16.5	49.3	27.0	31.7	31.7
KLS14T-14UP	7/8"	22	1 3/16"-12	1 3/16"-12	18.0	63.3	45.7	16.5	50.8	33.3	34.9	34.9
KLS16T-16UP	1"	25	1 5/16"-12	1 5/16"-12	21.5	65.0	46.0	16.5	52.1	33.3	38.1	38.1
KLS20T-20UP	1-1/4"	32	1 5/8"-12	1 5/8"-12	27.5	70.8	52.3	16.5	57.2	41.2	50	47.6
KLS24T-24UP	1-1/2"	38	1 7/8"-12	1 7/8"-12	33.3	85.9	59.2	16.5	60.7	47.6	57.2	53.9
KLS32T-32UP	2"	50	2 1/2"-12	2 1/2"-12	45.0	105.2	77.7	16.5	73.4	63.5	75	69.8

O-Seal 45° UNF Male Elbow

KLBS-UP

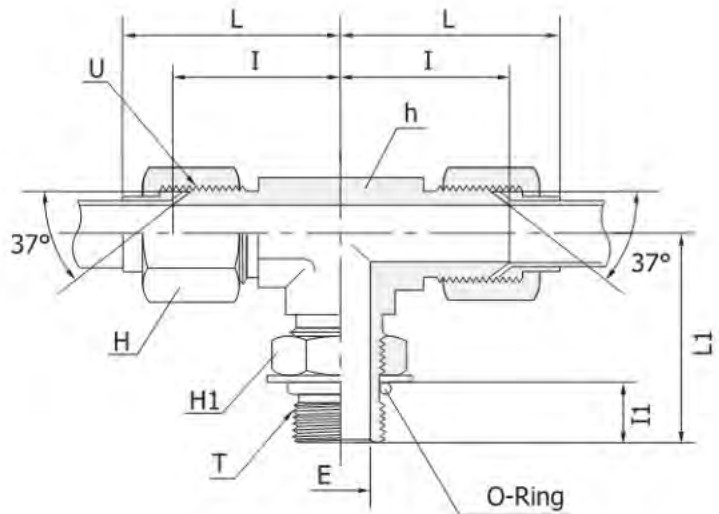


Tube to Straight Thread

Part No.	Tube O.D		T (UNF)	U (UNF)	E	L	L1	L2	L3	h (HEX)	H (HEX)	H1 (HEX)
	Inch	Metric										
KLBS2T-2UP	1/8"	3	5/16"-24	5/16"-24	1.6	25.3	17.5	8.4	22.4	11.1	9.5	11.1
KLBS3T-3UP	3/16"	4	3/8"-24	3/8"-24	3.2	26.9	17.5	8.4	22.4	11.1	11.1	12.7
KLBS4T-4UP	1/4"	6	7/16"-20	7/16"-20	4.4	27.4	18.3	9.8	26.7	11.1	14.2	14.2
KLBS5T-5UP	5/16"	8	1/2"-20	1/2"-20	6.0	30.0	19.6	9.8	26.7	14.2	15.8	15.8
KLBS6T-6UP	3/8"	10	9/16"-18	9/16"-18	7.5	33.0	21.1	11	29	14.2	17.4	17.4
KLBS8T-8UP	1/2"	12	3/4"-16	3/4"-16	9.9	37.6	24.9	12.5	33	19.1	22.2	22.2
KLBS10T-10UP	5/8"	16	7/8"-14	7/8"-14	12.3	44.8	28.2	14.3	38.6	22.2	25.4	25.4
KLBS12T-12UP	3/4"	18, 20	1 1/16"-12	1 1/16"-12	15.5	48.0	32.5	16.5	43.9	27.0	31.7	31.7
KLBS14T-14UP	7/8"	22	1 3/16"-12	1 3/16"-12	18.0	54.4	36.8	16.5	47.2	33.3	34.9	34.9
KLBS16T-16UP	1"	25	1 5/16"-12	1 5/16"-12	21.5	56.3	37.3	16.5	47.2	33.3	38.1	38.1
KLBS20T-20UP	1-1/4"	32	1 5/8"-12	1 5/8"-12	27.5	58.9	40.4	16.5	48.5	41.2	50	47.6
KLBS24T-24UP	1-1/2"	38	1 7/8"-12	1 7/8"-12	33.3	71.9	45.2	16.5	48.5	47.6	57.0	53.9
KLBS32T-32UP	2"	50	2 1/2"-12	2 1/2"-12	45.0	83.9	56.4	16.5	47.2	63.5	73.0	69.8

O-Seal UNF Branch Tee

KTBS-UP

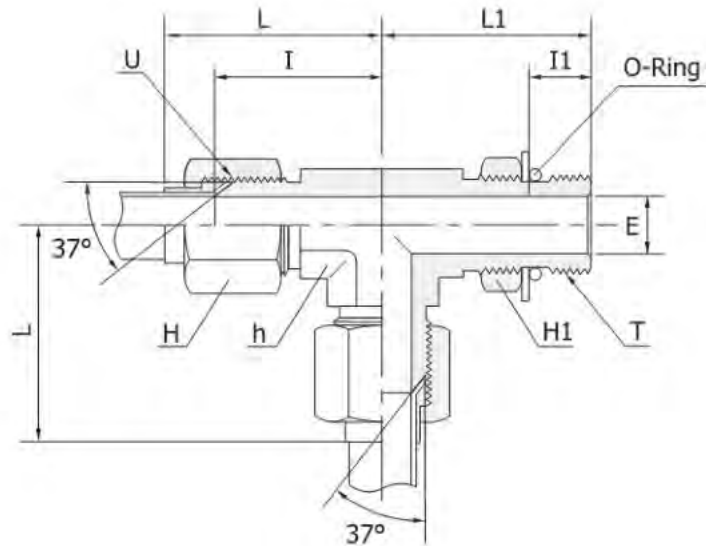


Tube to Straight Thread

Part No.	Tube O.D		T (UNF)	U (UNF)	E	L	L1	I	I1	h (HEX)	H (HEX)	H1 (HEX)
	Inch	Metric										
KTBS2T-2UP	1/8"	3	5/16"-24	5/16"-24	1.6	27.4	23.9	19.6	8.4	11.1	9.5	11.1
KTBS3T-3UP	3/16"	4	3/8"-24	3/8"-24	3.2	30.5	23.9	21.1	8.4	11.1	11.1	12.7
KTBS4T-4UP	1/4"	6	7/16"-20	7/16"-20	4.4	31.7	26.2	22.6	9.8	11.1	14.2	14.2
KTBS5T-5UP	5/16"	8	1/2"-20	1/2"-20	6.0	34.5	28.7	24.1	9.8	14.2	15.8	15.8
KTBS6T-6UP	3/8"	10	9/16"-18	9/16"-18	7.5	38.8	31.8	26.9	11	14.2	17.4	17.4
KTBS8T-8UP	1/2"	12	3/4"-16	3/4"-16	9.9	44.5	36.8	31.8	12.5	19.1	22.2	22.2
KTBS10T-10UP	5/8"	16	7/8"-14	7/8"-14	12.3	53.4	43.2	36.8	14.3	22.2	25.4	25.4
KTBS12T-12UP	3/4"	18, 20	1 1/16"-12	1 1/16"-12	15.5	57.7	49.3	42.2	16.5	27.0	31.7	31.7
KTBS14T-14UP	7/8"	22	1 3/16"-12	1 3/16"-12	18.0	63.3	50.8	45.7	16.5	33.3	34.9	34.9
KTBS16T-16UP	1"	25	1 5/16"-12	1 5/16"-12	21.5	65.0	52.1	46.0	16.5	33.3	38.1	38.1
KTBS20T-20UP	1-1/4"	32	1 5/8"-12	1 5/8"-12	27.5	70.8	57.2	52.3	16.5	41.2	50	47.6
KTBS24T-24UP	1-1/2"	38	1 7/8"-12	1 7/8"-12	33.3	85.9	60.7	59.2	16.5	47.6	57.2	53.9
KTBS32T-32UP	2"	50	2 1/2"-12	2 1/2"-12	45.0	105.2	73.4	77.7	16.5	63.5	75	69.8

O-Seal UNF Run Tee

KTRS-UP

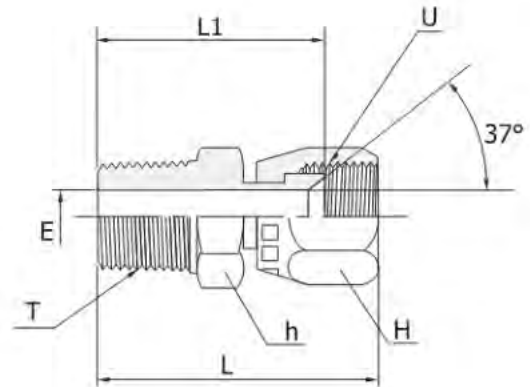


Tube to Straight Thread

Part No.	Tube O.D		T (UNF)	U (UNF)	E	L	L1	I	I1	h (HEX)	H (HEX)	H1 (HEX)
	Inch	Metric										
KTRS2T-2UP	1/8"	3	5/16"-24	5/16"-24	1.6	27.4	23.9	19.6	8.4	11.1	9.5	11.1
KTRS3T-3UP	3/16"	4	3/8"-24	3/8"-24	3.2	30.5	23.9	21.1	8.4	11.1	11.1	12.7
KTRS4T-4UP	1/4"	6	7/16"-20	7/16"-20	4.4	31.7	26.2	22.6	9.8	11.1	14.2	14.2
KTRS5T-5UP	5/16"	8	1/2"-20	1/2"-20	6.0	34.5	28.7	24.1	9.8	14.2	15.8	15.8
KTRS6T-6UP	3/8"	10	9/16"-18	9/16"-18	7.5	38.8	31.8	26.9	11	14.2	17.4	17.4
KTRS8T-8UP	1/2"	12	3/4"-16	3/4"-16	9.9	44.5	36.8	31.8	12.5	19.1	22.2	22.2
KTRS10T-10UP	5/8"	16	7/8"-14	7/8"-14	12.3	53.4	43.2	36.8	14.3	22.2	25.4	25.4
KTRS12T-12UP	3/4"	18, 20	1 1/16"-12	1 1/16"-12	15.5	57.7	49.3	42.2	16.5	27.0	31.7	31.7
KTRS14T-14UP	7/8"	22	1 3/16"-12	1 3/16"-12	18.0	63.3	50.8	45.7	16.5	33.3	34.9	34.9
KTRS16T-16UP	1"	25	1 5/16"-12	1 5/16"-12	21.5	65.0	52.1	46.0	16.5	33.3	38.1	38.1
KTRS20T-20UP	1-1/4"	32	1 5/8"-12	1 5/8"-12	27.5	70.8	57.2	52.3	16.5	41.2	50	47.6
KTRS24T-24UP	1-1/2"	38	1 7/8"-12	1 7/8"-12	33.3	85.9	60.7	59.2	16.5	47.6	57.2	53.9
KTRS32T-32UP	2"	50	2 1/2"-12	2 1/2"-12	45.0	105.2	73.4	77.7	16.5	63.5	75	69.8

Swivel Male Connector

KSMC

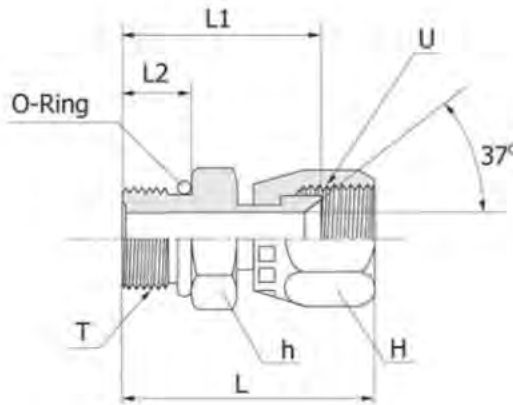


Swivel Fittings

Part No.	Tube O.D		T (NPT)	U (UNF)	E	L	L1	h (HEX)	H (HEX)
	Inch	Metric							
KSMC2T-2N	1/8"	3	1/8"	5/16"-24	1.6	30.0	22.0	11.1	11.1
KSMC3T-2N	3/16"	4	1/8"	3/8"-24	3.2	32.0	23.5	11.1	12.7
KSMC4T-2N	1/4"	6	1/8"	7/16"-20	4.4	34.2	25.5	12.7	14.2
KSMC5T-2N	5/16"	8	1/8"	1/2"-20	6.0	35.0	25.5	14.2	16.0
KSMC6T-4N	3/8"	10	1/4"	9/16"-18	7.5	40.2	30.7	16	17.4
KSMC8T-6N	1/2"	12	3/8"	3/4"-16	9.9	42.7	32	21	22.2
KSMC10T-8N	5/8"	16	1/2"	7/8"-14	12.3	51.3	38.6	23.8	25.4
KSMC12T-12N	3/4"	18, 20	3/4"	1 1/16"-12	15.5	54.5	40.2	29	32
KSMC14T-12N	7/8"	22	3/4"	1 3/16"-12	18.0	56.0	41.2	32.0	35.0
KSMC16T-16N	1"	25	1"	1 5/16"-12	21.5	63.7	48.6	36	38
KSMC20T-20N	1-1/4"	32	1-1/4"	1 5/8"-12	27.5	68.9	53	46	50.8
KSMC24T-24N	1-1/2"	38	1-1/2"	1 7/8"-12	33.3	77.6	59	50	57
KSMC32T-32N	2"	50	2"	2 1/2"-12	45.0	92.9	69.1	66.7	73

Swivel UNF Male Connector

KSMCS-U

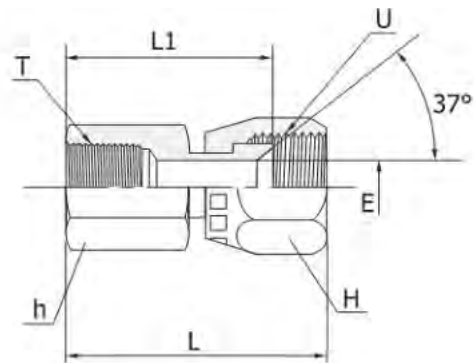


Swivel Fittings

Part No.	Tube O.D		T (UNF)	U (UNF)	L	L1	L2	h (HEX)	H (HEX)
	Inch	Metric							
KSMCS2T-02U	1/8"	3	5/16"-24	5/16"-24	30.4	22.5	7.5	11.1	11.1
KSMCS3T-02U	3/16"	4	3/8"-24	3/8"-24	31.0	22.7	7.5	12.7	12.7
KSMCS4T-04U	1/4"	6	7/16"-20	7/16"-20	33.9	25.2	9.1	14.2	14.2
KSMCS5T-05U	5/16"	8	1/2"-20	1/2"-20	35.7	26.2	9.1	15.8	15.8
KSMCS6T-06U	3/8"	10	9/16"-18	9/16"-18	37.4	27.9	9.9	17.4	19
KSMCS8T-08U	1/2"	12	3/4"-16	3/4"-16	41.6	30.7	11.1	22.2	22.2
KSMCS10T-10U	5/8"	16	7/8"-14	7/8"-14	47.6	34.9	12.7	25.4	27
KSMCS12T-12U	3/4"	18, 20	1 1/16"-12	1 1/16"-12	54.4	40.1	15.1	31.8	32
KSMCS14T-14U	7/8"	22	1 3/16"-12	1 3/16"-12	55.6	40.9	15.1	34.9	34.9
KSMCS16T-16U	1"	25	1 5/16"-12	1 5/16"-12	56.8	41.7	15.1	38.1	38.1
KSMCS20T-20U	1-1/4"	32	1 5/8"-12	1 5/8"-12	63.2	47.3	15.1	46.7	50.8
KSMCS24T-24U	1-1/2"	38	1 7/8"-12	1 7/8"-12	71.3	52.7	15.1	54.0	60.0
KSMCS32T-32U	2"	50	2 1/2"-12	2 1/2"-12	72.5	58.7	15.1	70.0	73.0

Swivel Female Connector

KSCF

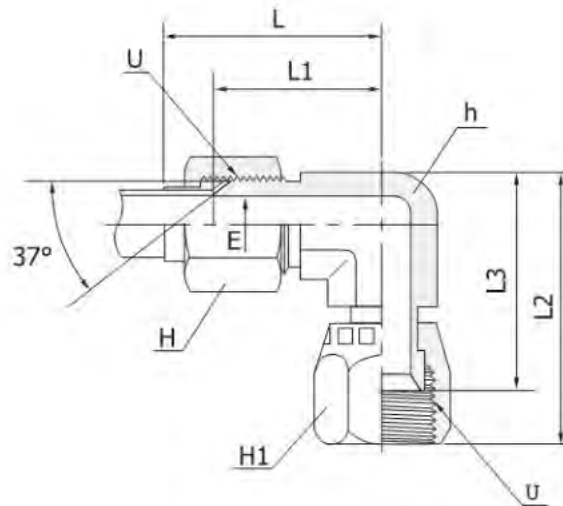


Swivel Fittings

Part No.	Tube O.D		T (NPT)	U (UNF)	E	L	L1	h (HEX)	H (HEX)
	Inch	Metric							
KSCF2T-2N	1/8"	3	1/8"	5/16"-24	1.6	36.1	28.2	14.2	11.1
KSCF3T-2N	3/16"	4	1/8"	3/8"-24	3.2	37.3	29.0	14.2	12.7
KSCF4T-2N	1/4"	6	1/8"	7/16"-20	4.4	39.7	31	14.2	14.2
KSCF5T-2N	5/16"	8	1/8"	1/2"-20	6.0	40.5	31.0	14.2	16.0
KSCF6T-4N	3/8"	10	1/4"	9/16"-18	7.5	45.8	36.3	19	17.4
KSCF8T-6N	1/2"	12	3/8"	3/4"-16	9.9	47	38.9	22.2	22.2
KSCF10T-8N	5/8"	16	1/2"	7/8"-14	12.3	51.6	48	29	25.4
KSCF12T-12N	3/4"	18, 20	3/4"	1 1/16"-12	15.5	66.6	52.3	35	32
KSCF14T-12N	7/8"	22	3/4"	1 3/16"-12	18.0	67.8	53.1	35.0	35.0
KSCF16T-16N	1"	25	1"	1 5/16"-12	21.5	73.5	58.4	41	38
KSCF20T-20N	1-1/4"	32	1-1/4"	1 5/8"-12	27.5	78.1	62.2	50.8	50.8
KSCF24T-24N	1-1/2"	38	1-1/2"	1 7/8"-12	33.3	86.7	68.1	60.0	57
KSCF32T-32N	2"	50	2"	2 1/2"-12	45.0	89.3	65.2	73	73

Swivel Elbow

KSL

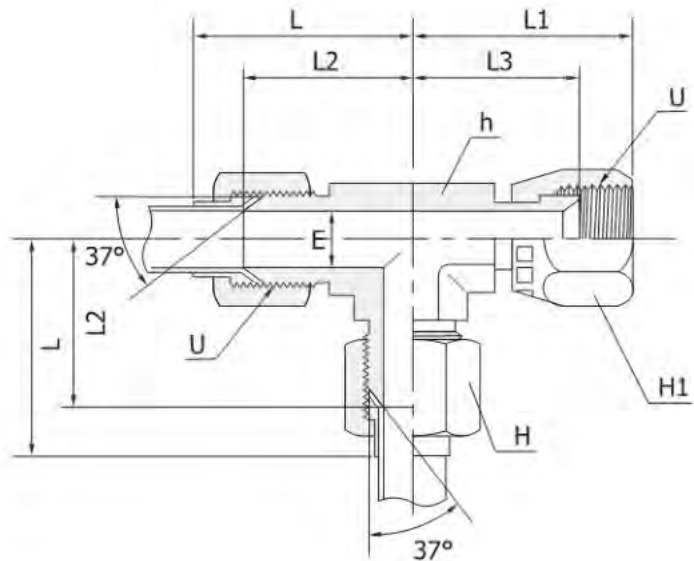


Swivel Fittings

Part No.	Tube O.D		U (UNF)	E	L	L1	L2	L3	h (HEX)	H (HEX)	H1 (HEX)
	Inch	Metric									
KSL-2T	1/8"	3	5/16"-24	1.6	27.4	19.6	24.6	16.7	11.1	9.5	11.1
KSL-3T	3/16"	4	3/8"-24	3.2	30.5	21.1	25.4	17.1	11.1	11.1	12.7
KSL-4T	1/4"	6	7/16"-20	4.4	31.7	22.6	25.4	16.7	11.1	14.2	14.2
KSL-5T	5/16"	8	1/2"-20	6.0	34.5	24.1	26.9	17.4	14.2	15.8	15.8
KSL-6T	3/8"	10	9/16"-18	7.5	38.8	26.9	31.8	22.3	14.2	17.4	17.4
KSL-8T	1/2"	12	3/4"-16	9.9	44.5	31.8	35.1	24.4	19.1	22.2	22.2
KSL-10T	5/8"	16	7/8"-14	12.3	53.4	36.8	41.1	28.4	22.2	25.4	25.4
KSL-12T	3/4"	18, 20	1 1/16"-12	15.5	57.7	42.2	44.4	30.1	27.0	31.7	31.7
KSL-14T	7/8"	22	1 3/16"-12	18.0	63.3	45.7	45.2	30.5	33.3	34.9	34.9
KSL-16T	1"	25	1 5/16"-12	21.5	65.0	46.0	50.8	35.7	33.3	38.1	38.1
KSL-20T	1-1/4"	32	1 5/8"-12	27.5	70.8	52.3	58.7	42.8	41.2	50	50
KSL-24T	1-1/2"	38	1 7/8"-12	33.3	85.9	59.2	65.8	47.2	47.6	57.2	57.2
KSL-32T	2"	50	2 1/2"-12	45.0	105.2	77.7	85.9	62.1	63.5	75	75

Swivel Run Tee

KSRT

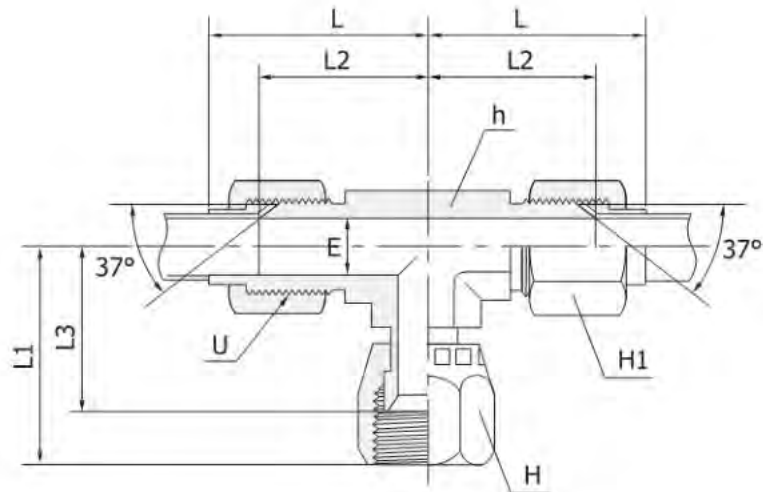


Swivel Fittings

Part No.	Tube O.D		U (UNF)	E	L	L1	L2	L3	h (HEX)	H (HEX)	H1 (HEX)
	Inch	Metric									
KSRT-2T	1/8"	3	5/16"-24	1.6	27.4	24.6	19.6	16.7	11.1	9.5	11.1
KSRT-3T	3/16"	4	3/8"-24	3.2	30.5	25.4	21.1	17.1	11.1	11.1	12.7
KSRT-4T	1/4"	6	7/16"-20	4.4	31.7	25.4	22.6	16.7	11.1	14.2	14.2
KSRT-5T	5/16"	8	1/2"-20	6.0	34.5	26.9	24.1	17.4	14.2	15.8	15.8
KSRT-6T	3/8"	10	9/16"-18	7.5	38.8	31.8	26.9	22.3	14.2	17.4	17.4
KSRT-8T	1/2"	12	3/4"-16	9.9	44.5	35.1	31.8	24.4	19.1	22.2	22.2
KSRT-10T	5/8"	16	7/8"-14	12.3	53.4	41.1	36.8	28.4	22.2	25.4	25.4
KSRT-12T	3/4"	18, 20	1 1/16"-12	15.5	57.7	44.4	42.2	30.1	27.0	31.7	31.7
KSRT-14T	7/8"	22	1 3/16"-12	18.0	63.3	45.2	45.7	30.5	33.3	34.9	34.9
KSRT-16T	1"	25	1 5/16"-12	21.5	65.0	50.8	46.0	35.7	33.3	38.1	38.1
KSRT-20T	1-1/4"	32	1 5/8"-12	27.5	70.8	58.7	52.3	42.8	41.2	50	50
KSRT-24T	1-1/2"	38	1 7/8"-12	33.3	85.9	65.8	59.2	47.2	47.6	57.2	57.2
KSRT-32T	2"	50	2 1/2"-12	45.0	105.2	85.9	77.7	62.1	63.5	75	75

Swivel Branch Tee

KSBT

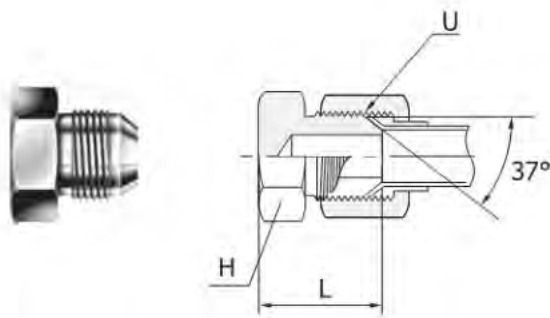


Swivel Fittings

Part No.	Tube O.D.		U (UNF)	E	L	L1	L2	L3	h (HEX)	H (HEX)	H1 (HEX)
	Inch	Metric									
KSBT-2T	1/8"	3	5/16"-24	1.6	27.4	24.6	19.6	16.7	11.1	9.5	11.1
KSBT-3T	3/16"	4	3/8"-24	3.2	30.5	25.4	21.1	17.1	11.1	11.1	12.7
KSBT-4T	1/4"	6	7/16"-20	4.4	31.7	25.4	22.6	16.7	11.1	14.2	14.2
KSBT-5T	5/16"	8	1/2"-20	6.0	34.5	26.9	24.1	17.4	14.2	15.8	15.8
KSBT-6T	3/8"	10	9/16"-18	7.5	38.8	31.8	26.9	22.3	14.2	17.4	17.4
KSBT-8T	1/2"	12	3/4"-16	9.9	44.5	35.1	31.8	24.4	19.1	22.2	22.2
KSBT-10T	5/8"	16	7/8"-14	12.3	53.4	41.1	36.8	28.4	22.2	25.4	25.4
KSBT-12T	3/4"	18, 20	1 1/16"-12	15.5	57.7	44.4	42.2	30.1	27.0	31.7	31.7
KSBT-14T	7/8"	22	1 3/16"-12	18.0	63.3	45.2	45.7	30.5	33.3	34.9	34.9
KSBT-16T	1"	25	1 5/16"-12	21.5	65.0	50.8	46.0	35.7	33.3	38.1	38.1
KSBT-20T	1-1/4"	32	1 5/8"-12	27.5	70.8	58.7	52.3	42.8	41.2	50	50
KSBT-24T	1-1/2"	38	1 7/8"-12	33.3	85.9	65.8	59.2	47.2	47.6	57.2	57.2
KSBT-32T	2"	50	2 1/2"-12	45.0	105.2	85.9	77.7	62.1	63.5	75	75

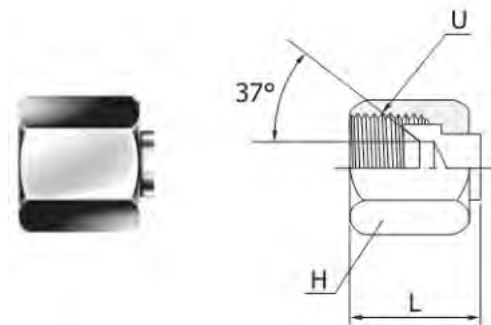
Cap for Tube End

KC



Plug for Fitting Port

KP



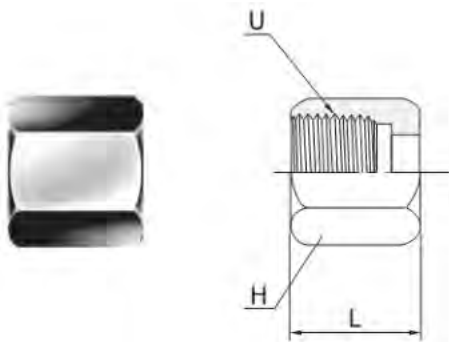
Cap and Plug

Part No.	Tube O.D		U (UNF)	H (HEX)	L
	Inch	Metric			
KC-2T	1/8"	3	5/16"-24	11.1	17.8
KC-3T	3/16"	4	3/8"-24	11.1	18.5
KC-4T	1/4"	6	7/16"-20	12.7	20.3
KC-5T	5/16"	8	1/2"-20	14.2	20.3
KC-6T	3/8"	10	9/16"-18	15.8	21.3
KC-8T	1/2"	12	3/4"-16	20.6	23.9
KC-10T	5/8"	16	7/8"-14	23.8	27.9
KC-12T	3/4"	18, 20	1 1/16"-12	28.5	32.5
KC-14T	7/8"	22	1 3/16"-12	31.7	33.3
KC-16T	1"	25	1 5/16"-12	34.9	33.8
KC-20T	1-1/4"	32	1 5/8"-12	42.8	36.8
KC-24T	1-1/2"	38	1 7/8"-12	50	41.9
KC-32T	2"	50	2 1/2"-12	70	52.1

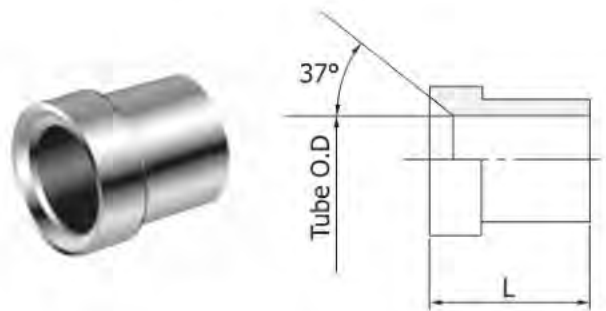
Cap and Plug

Part No.	Tube O.D		U (UNF)	H (HEX)	L
	Inch	Metric			
KP-2T	1/8"	3	5/16"-24	9.5	13.7
KP-3T	3/16"	4	3/8"-24	11.1	15.2
KP-4T	1/4"	6	7/16"-20	14.2	15.5
KP-5T	5/16"	8	1/2"-20	15.8	17.0
KP-6T	3/8"	10	9/16"-18	17.4	18.3
KP-8T	1/2"	12	3/4"-16	22.2	21.3
KP-10T	5/8"	16	7/8"-14	25.4	24.6
KP-12T	3/4"	18, 20	1 1/16"-12	31.7	25.9
KP-14T	7/8"	22	1 3/16"-12	34.9	27.4
KP-16T	1"	25	1 5/16"-12	38.1	28.4
KP-20T	1-1/4"	32	1 5/8"-12	50.8	31.0
KP-24T	1-1/2"	38	1 7/8"-12	57.1	35.8
KP-32T	2"	50	2 1/2"-12	73.0	44.2

Nut KN



Sleeve KS



Spare Parts

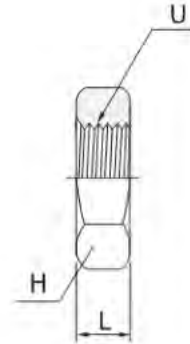
Part No.	Tube O.D.		U (UNF)	H (HEX)	L
	Inch	Metric			
KN-2T	1/8"	3	5/16"-24	9.5	14.0
KN-3T	3/16"	4	3/8"-24	11.1	15.5
KN-4T	1/4"	6	7/16"-20	14.2	15.8
KN-5T	5/16"	8	1/2"-20	15.8	17.3
KN-6T	3/8"	10	9/16"-18	17.4	18.5
KN-8T	1/2"	12	3/4"-16	22.2	21.6
KN-10T	5/8"	16	7/8"-14	25.4	24.9
KN-12T	3/4"	18, 20	1 1/16"-12	31.7	26.2
KN-14T	7/8"	22	1 3/16"-12	34.9	27.7
KN-16T	1"	25	1 5/16"-12	38.1	28.7
KN-20T	1-1/4"	32	1 5/8"-12	50	31.2
KN-24T	1-1/2"	38	1 7/8"-12	57.2	36.1
KN-32T	2"	50	2 1/2"-12	75	44.5

Spare Parts

Part No.	Tube O.D.		L
	Inch	Metric	
KS-2T	1/8"	3	8.6
KS-3T	3/16"	4	8.6
KS-4T	1/4"	6	10.4
KS-5T	5/16"	8	11.2
KS-6T	3/8"	10	12.7
KS-8T	1/2"	12	14.2
KS-10T	5/8"	16	16.8
KS-12T	3/4"	18, 20	17.3
KS-14T	7/8"	22	19.3
KS-16T	1"	25	19.8
KS-20T	1-1/4"	32	23.1
KS-24T	1-1/2"	38	28.4
KS-32T	2"	50	30.2

Bulkhead Lok Nut

KBN



Spare Parts

Part No.	Tube O.D		U (UNF)	L	H (HEX)
	Inch	Metric			
KBN-2T	1/8"	3	5/16"-24	5.6	14.2
KBN-3T	3/16"	4	3/8"-24	5.6	15.8
KBN-4T	1/4"	6	7/16"-20	6.4	17.4
KBN-5T	5/16"	8	1/2"-20	6.4	19.1
KBN-6T	3/8"	10	9/16"-18	6.9	20.6
KBN-8T	1/2"	12	3/4"-16	7.9	25.4
KBN-10T	5/8"	16	7/8"-14	9.1	28.5
KBN-12T	3/4"	18, 20	1 1/16"-12	10.4	34.9
KBN-14T	7/8"	22	1 3/16"-12	10.4	38.1
KBN-16T	1"	25	1 5/16"-12	10.4	41
KBN-20T	1-1/4"	32	1 5/8"-12	10.4	47.6
KBN-24T	1-1/2"	38	1 7/8"-12	10.4	53.9
KBN-32T	2"	50	2 1/2"-12	10.4	70